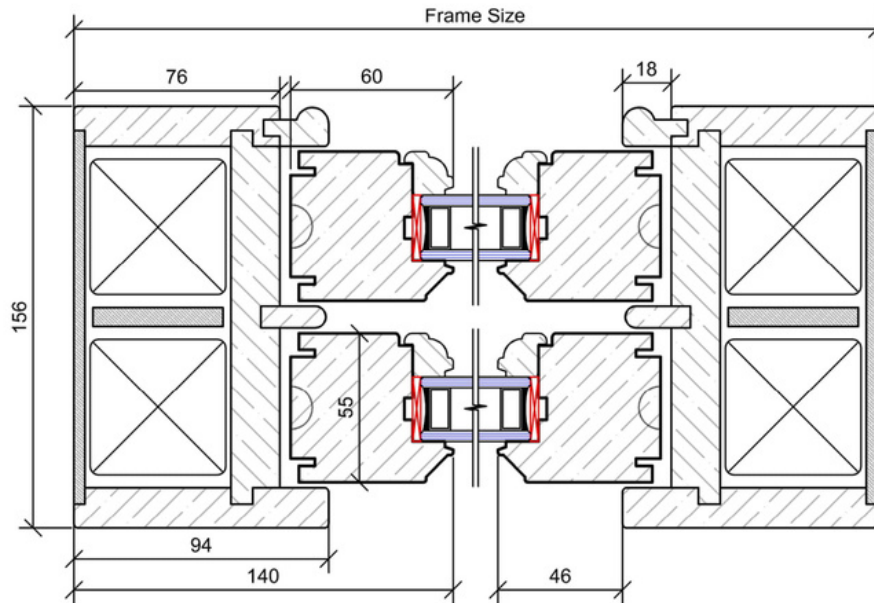
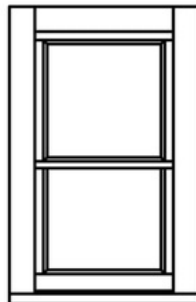




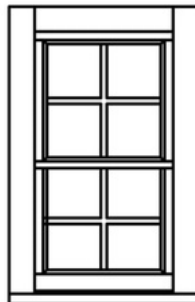
SASH WINDOWS



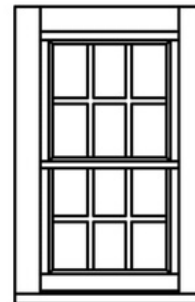
Horizontal Section - Traditional



Plain Elevation



Elevation with
Glazing Bars



Elevation with
Glazing Bars

Elevation Samples

Windows Type

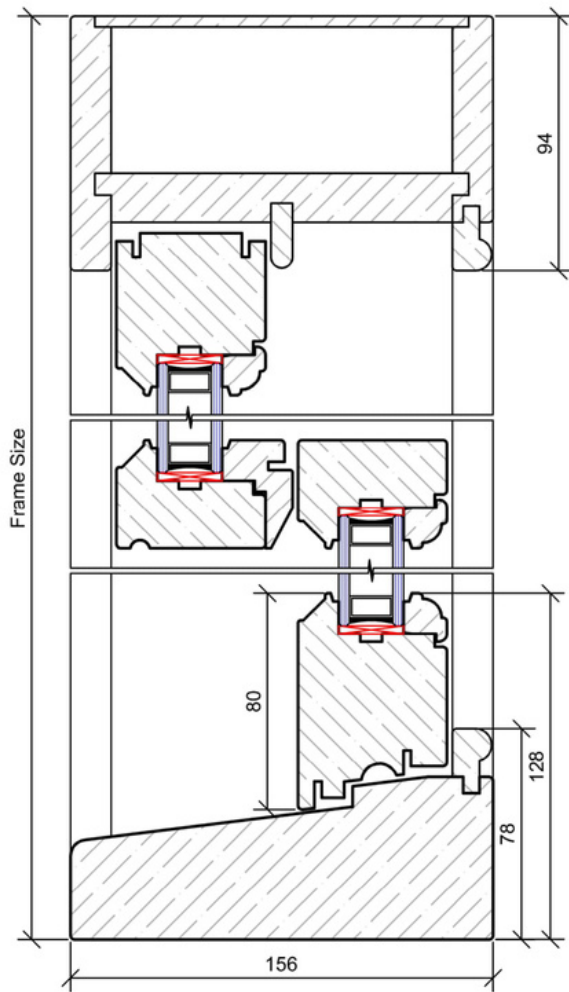
Sliding Sash Window

Drawing Name

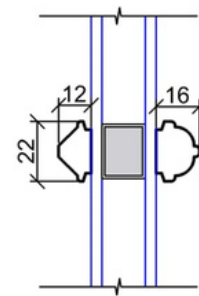
**Horizontal Section &
Elevations**

Scale

1:2 & 1:20



Vertical Section



Glazing Bar

Windows Type

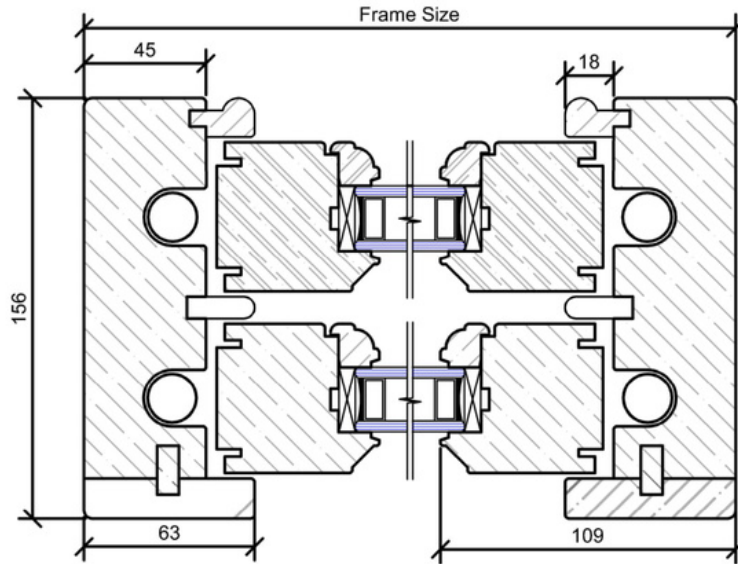
Sliding Sash Window

Drawing Name

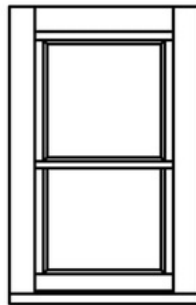
Vertical Section & Glazing *Scale*

Bars

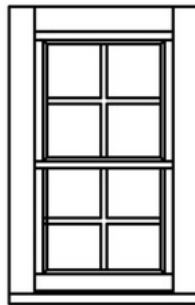
1:2



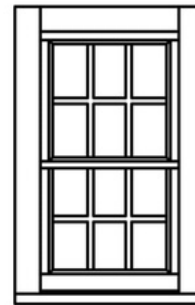
Horizontal Section - Spring Balance



Plain Elevation



Elevation with
Glazing Bars



Elevation with
Glazing Bars

Elevation Samples

Windows Type

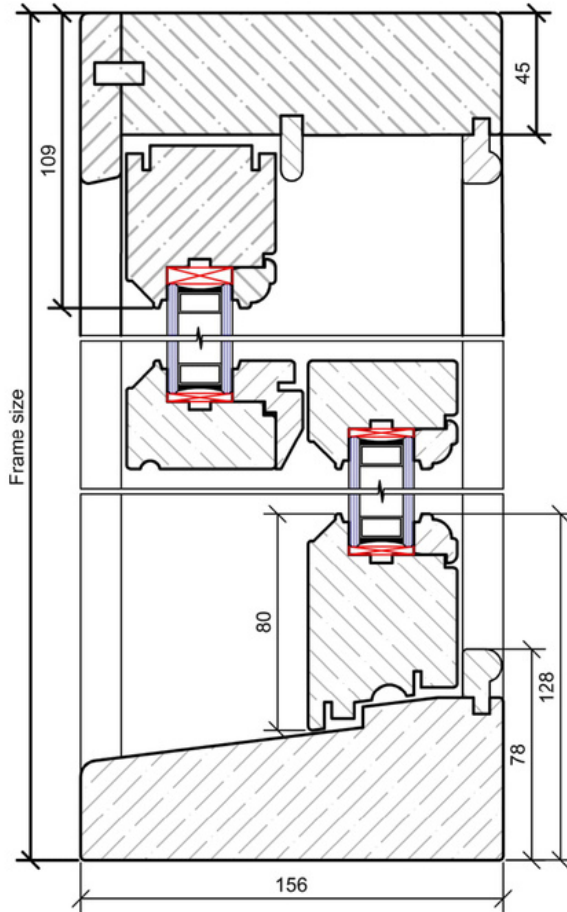
Sliding Sash Window

Drawing Name

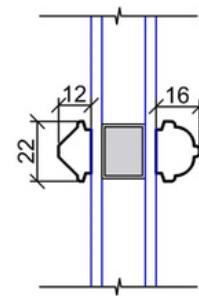
**Horizontal Section &
Elevations**

Scale

1:2 & 1:20



Vertical Section



Glazing Bar

Windows Type

Sliding Sash Window

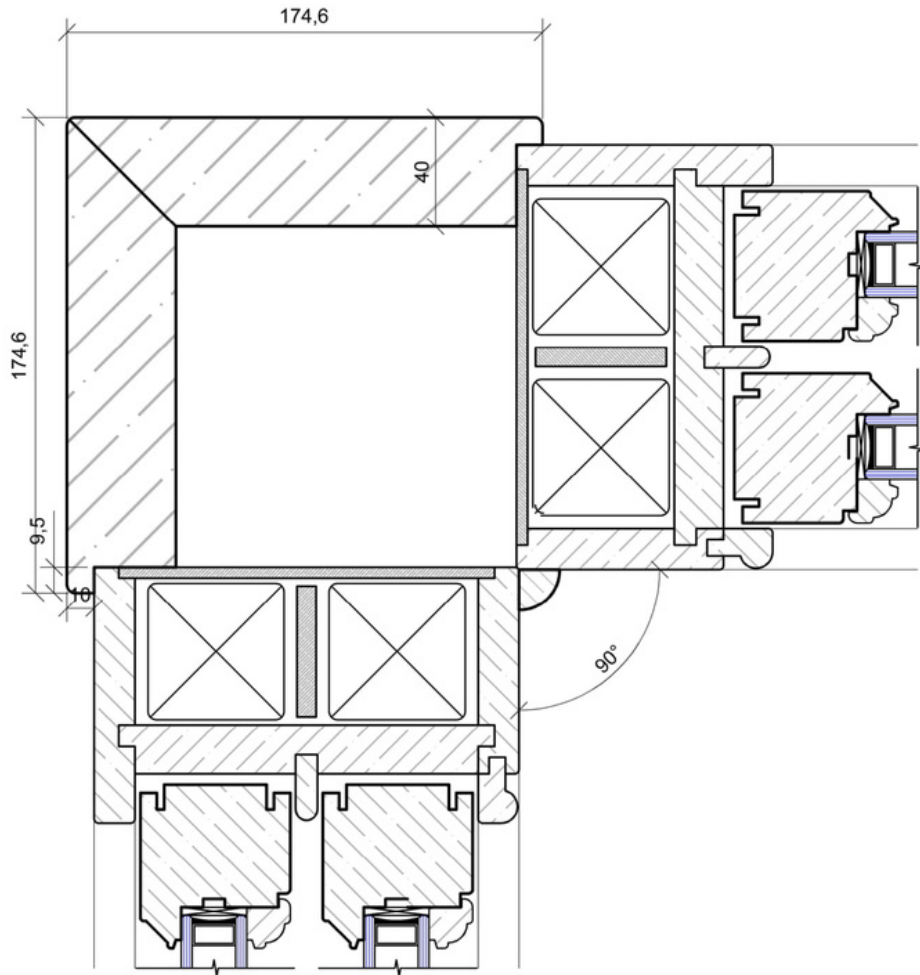
Drawing Name

Vertical Section & Glazing

Scale

Bars

1:2



Windows Type

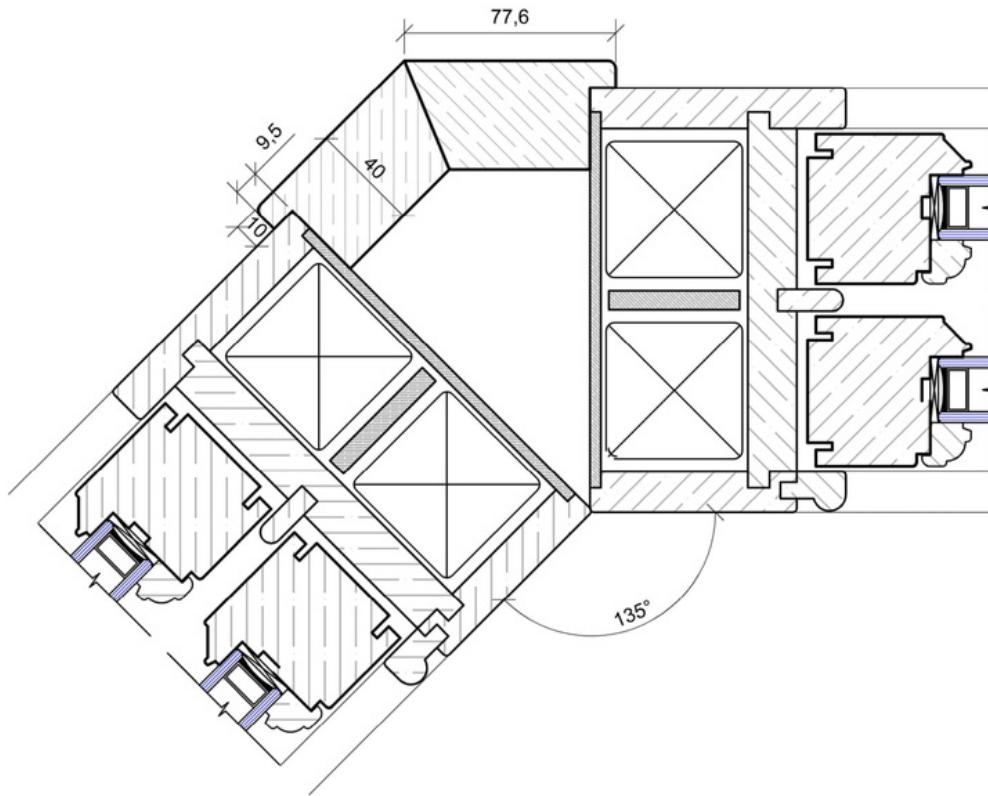
Sliding Sash Window

Drawing Name

Bay Window - Horizontal *Scale*

Section Detail

1:2



Windows Type

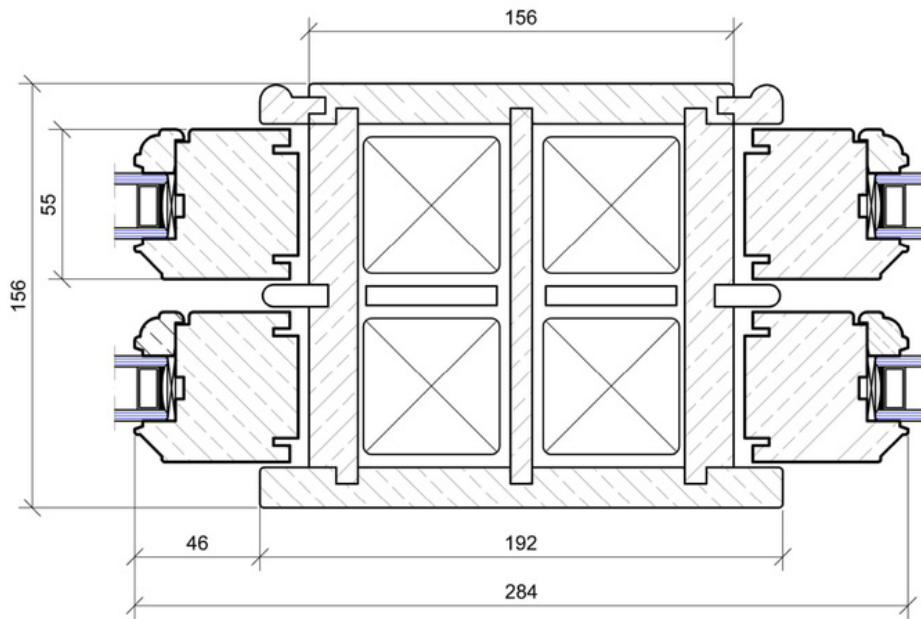
Sliding Sash Window

Drawing Name

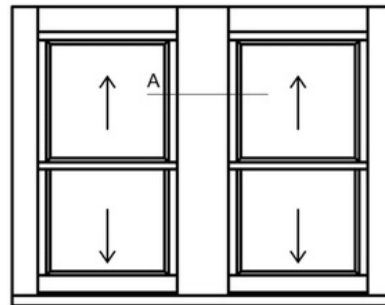
Bay Window - Horizontal Scale

Section Detail

1:2



Central Mullion for Double
Opening Sash



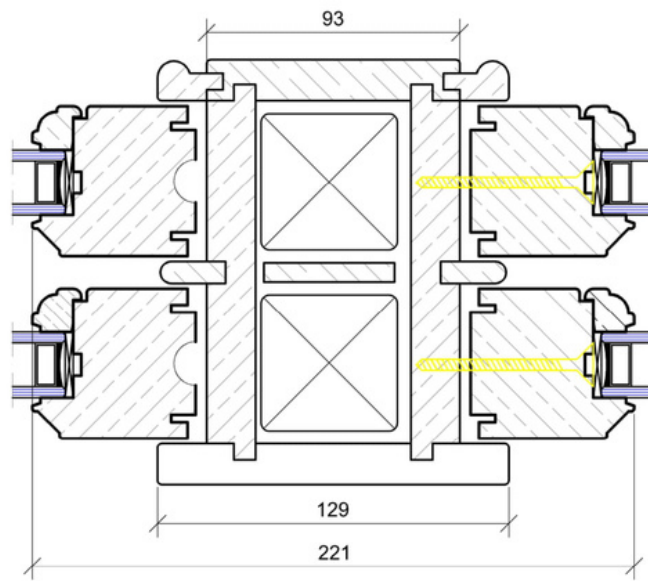
Windows Type

Sliding Sash Window

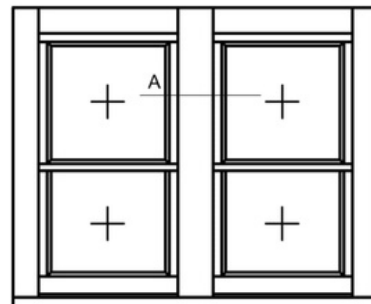
Drawing Name

Scale

1:2



CENTRAL MULLION
FOR DOUBLE OPENING
FIXED
COMBO SASH



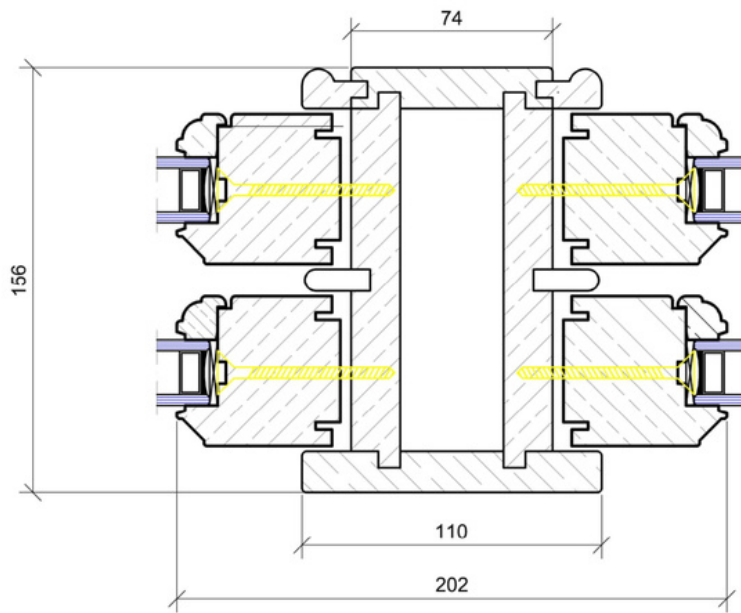
Windows Type

Sliding Sash Window

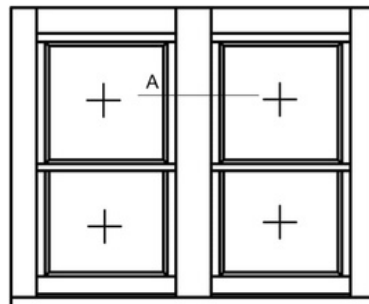
Drawing Name

Scale

1:2



CENTRAL MULLION
FOR DOUBLE FIXED SASH



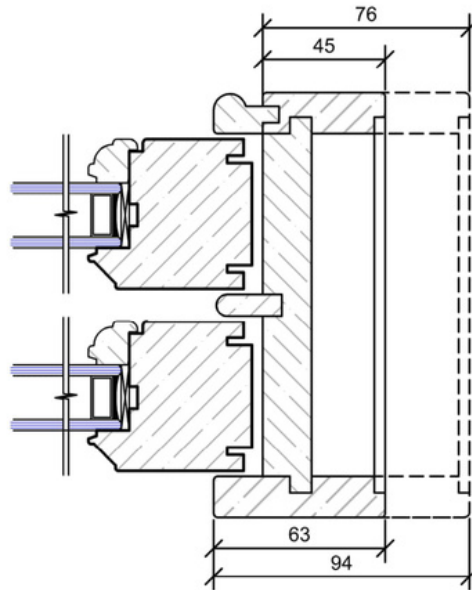
Windows Type

Sliding Sash Window

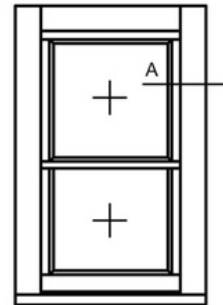
Drawing Name

Scale

1:2



Frame Section Fixed
Sash 94 or 63



Windows Type

Sliding Sash Window

Drawing Name

Scale

1:2