

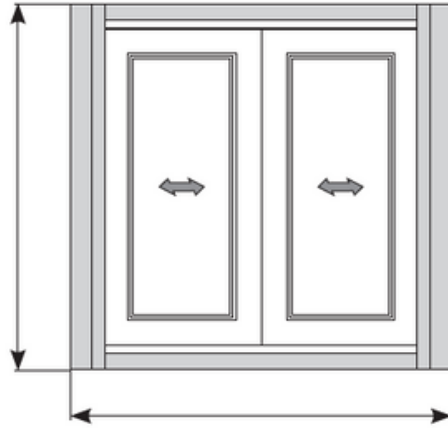
Double roll-up insect screen

Mounting type/measurement

T: +48 32 726 72 04

www.aikondistribution.com

opening height increased by two guides (Wr)

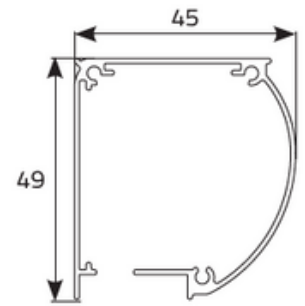


opening width increased by two boxes (Sr)

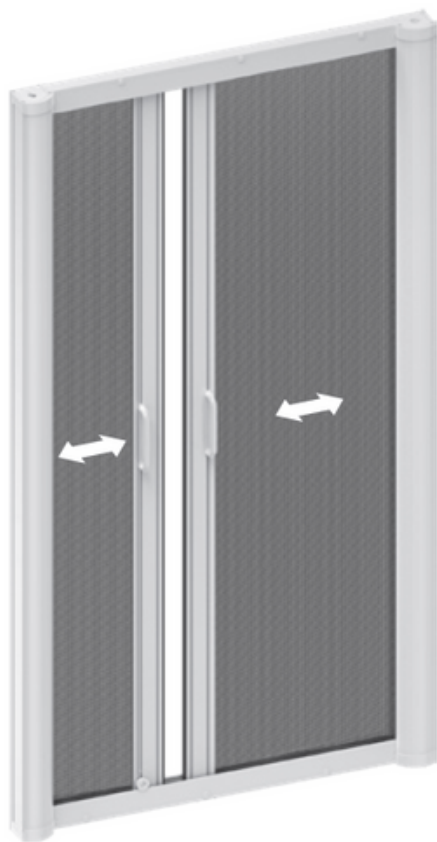
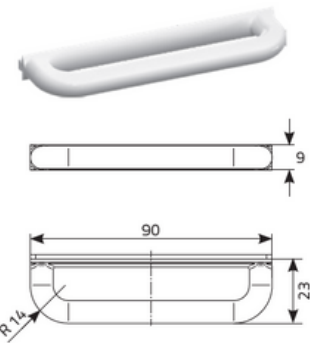
S - Opening width
 Sr - Order width
 W - Opening height
 Wr - Order height
 R - Box size

overall dimensions
Sr = S + 2 x 49mm
Wr = W + 2 x 32mm

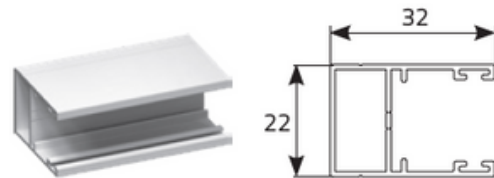
Box section



PVC handle



Straight guide



guide with seat (surcharge)

